

Low Noise Amplifier Chip

AASL6P006AQ

Product Specification

V1.0

1. Product Features

Frequency Range: 5~6GHz

Small Signal Gain: 26dB

Noise Figure: 0.62 dB

Output P1dB: 15 dBm

Bias Conditions: VDD = 5V, Idq = 27mA,

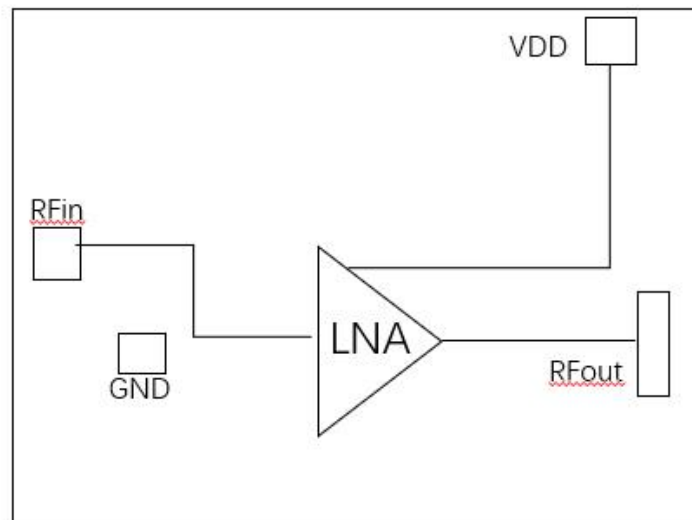
Zin/Zout=50ohm

Chip Dimensions: 1.85mm×1.6mm×0.10mm

2. Functional Overview

This chip is a low noise amplifier operating in the 5~6GHz frequency band. It adopts a single 5V power supply. At an operating current of 27mA, it provides a small signal gain of 26dB, an output P1dB power of 15dBm, with a typical noise figure of 0.62dB. DC blocking capacitors are integrated at all RF ports, and the port impedance is matched to 50Ω, eliminating the need for additional external matching circuits. It is applicable to communication, radar and other related fields.

3. Block Diagram



4. Typical Applications

Suitable for communication systems, radar systems, electronic countermeasure systems and other scenarios.

5. Electrical Characteristics

5.1 RF Characteristics

Unless otherwise specified, all electrical parameters are measured under the following conditions: VDD= 5V, IDQ = 27mA, TA = +25° C, 50 Ω system.