

Driver Amplifier Packaged Chip

AASDP65P5AL

Product Specification

V1.0

1. Product Features

Frequency Range: 450~650MHz

Small-Signal Gain: 23.5dB

Output Power: 27.5 dBm@Pin=6.5dBm
[28.5 dBm@Pin=11.5dBm](#)

Efficiency: 46%@Pout=28dBm

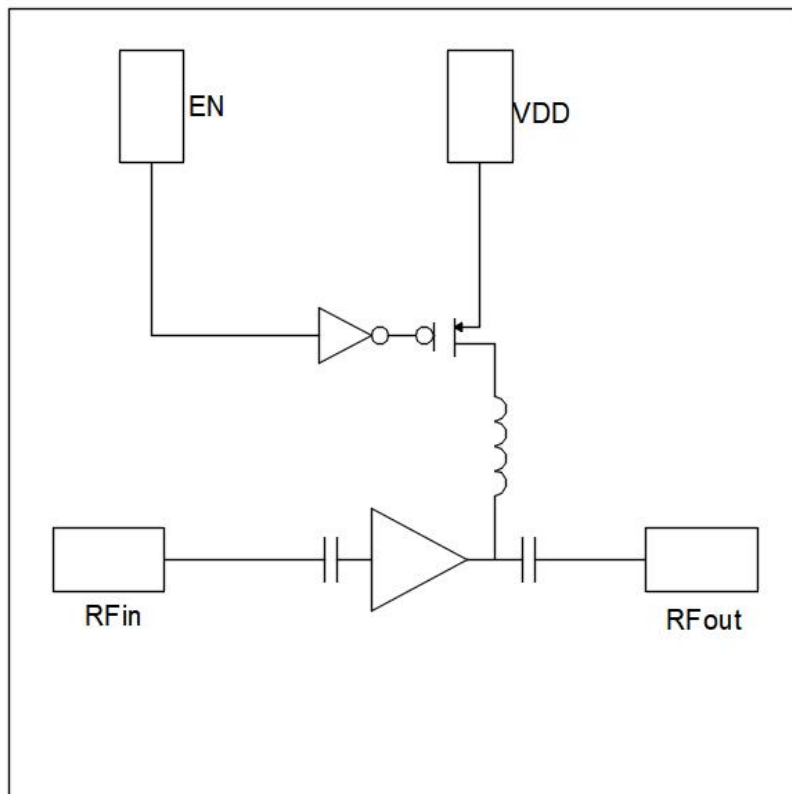
Bias Conditions: VDD = 5V, EN= 0V, IDQ = 120mA

Chip Dimensions: 6mm×6mm×1.15mm

2. Functional Overview

This is a packaged driver amplifier chip operating in the 450~650MHz frequency band. It adopts a single 5V power supply. At a quiescent current of 120mA, it delivers a small-signal gain of 23.5dB with a saturated output power of 27.5dBm. The chip is applicable to communication, radar and other related fields.

3. Block Diagram



4. Typical Applications

- Wireless Sensor Networks
- Industrial Applications
- ISM/AMR Systems

5. Electrical Characteristics

5.1 RF Characteristics

Unless otherwise specified, all electrical parameters are measured under small-signal conditions: VDD=5V, EN=0V, IDQ=120mA, ambient temperature TA = +25°C, in a 50 Ω continuous-wave test system.