

Limiter Chip

AS2500 (Original) / AS2500- M (Mirror Version)

Product Specification

V1.0

1. Product Features

- Frequency Range: 12–18 GHz
- Insertion Loss: 0.3 dB
- Limiting Level: 14 dBm
- Power Withstanding Capability: 38 dBm (at 25 °C)
- Chip Dimensions: 1.00 mm × 0.65 mm × 0.1 mm

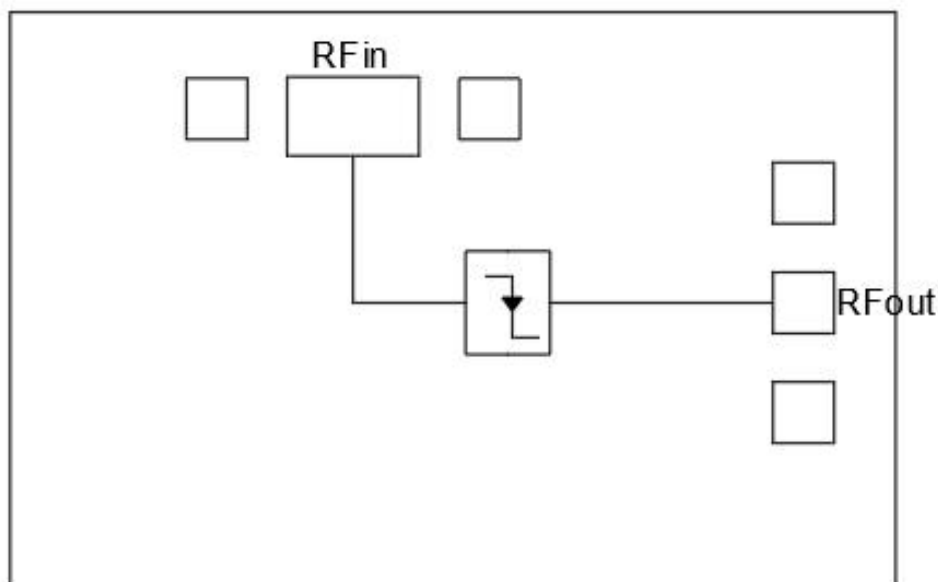
2. Functional Description

AS2500 and AS2500-M are limiter chips operating at 12–18 GHz. They feature an insertion loss of 0.3 dB and a limiting level of 14 dBm, with a CW power withstanding capability of 38 dBm at 25 °C.

The chip has a port impedance of 50 Ω and is grounded through backside metallization.

Note: AS2500 and AS2500-M have identical electrical performance. Only the differences in PAD positions between the original and mirror versions are indicated in the outline dimension and pin definition sections of this document.

3. Block Diagram



4. Typical Applications

Suitable for applications such as communications and radar systems.

5. Electrical Performance Parameters

5.1 RF Characteristics

Unless otherwise specified, all electrical characteristics are measured under the conditions of small-signal $P_{in} = -30$ dBm, $T_A = +25$ °C, and 50Ω system.